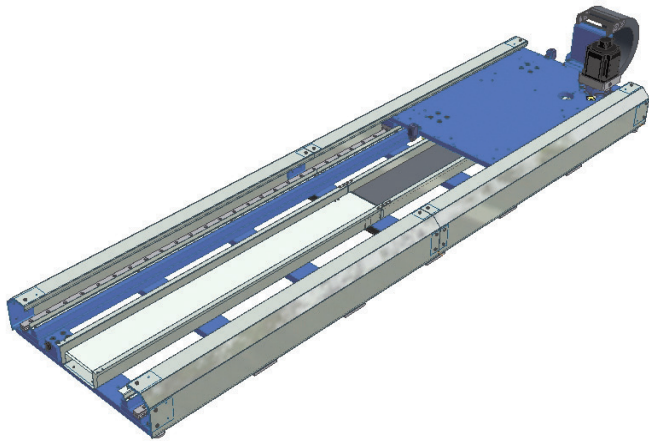


TSL-1400

Floor mounted track.



Key benefits

- Outstanding speed.
- Quiet operation.
- For high payload robots.

This is a servo powered floor mounted track with one or two robot carriages. It can be used to transport a robot from one station to another, or to increase the robot's working range. The TSL track is prepared for zeroing function.

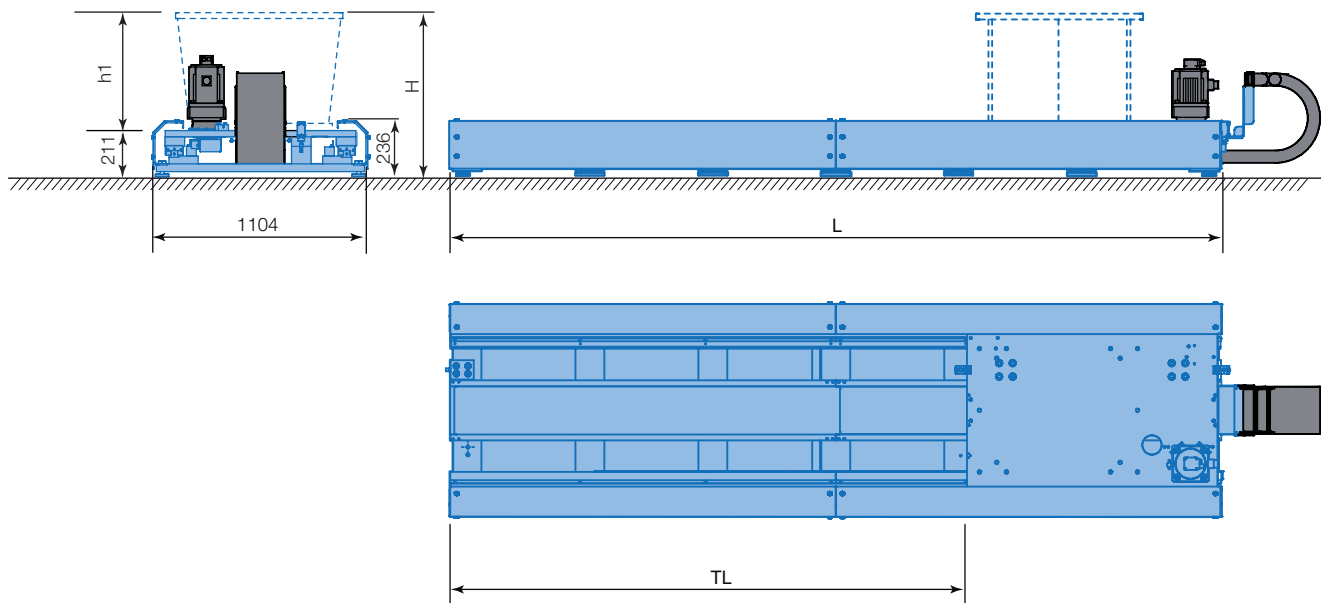
Since the track is built in two- or four meter modules, it is easy to extend to a suitable length.

Available for robot models such as GP180, GP180-120 and GP225.

Options

- Automatic lubrication of rack and guide blocks.
- Mechanical zeroing function.

TSL-1400 SY



All dimensions are for reference only.

Request detailed drawings for design/engineering requirements!

Technical data		TSL-1400 SY
Maximum payload		1400 kg
Maximum speed		2.5 m/sec
ED		50%
Acceleration velocity		2.5 m/s ²
Travel	500 mm 1000 mm	0.63 sec 0.93 sec
Repetitive position accuracy		±0.08 mm
Height (H) including robot stand		461, 611, 811 mm
Standard length, two meter modules (L)		4, 6, 8 ... 24 meter
Travel length, stroke (TL)		L-1340

YASKAWA



YASKAWA Nordic AB
PO Box 504
SE-385 25 Torsås, SWEDEN

Phone +46 480 41 78 00
info.se@yaskawa.eu
www.yaskawa.eu