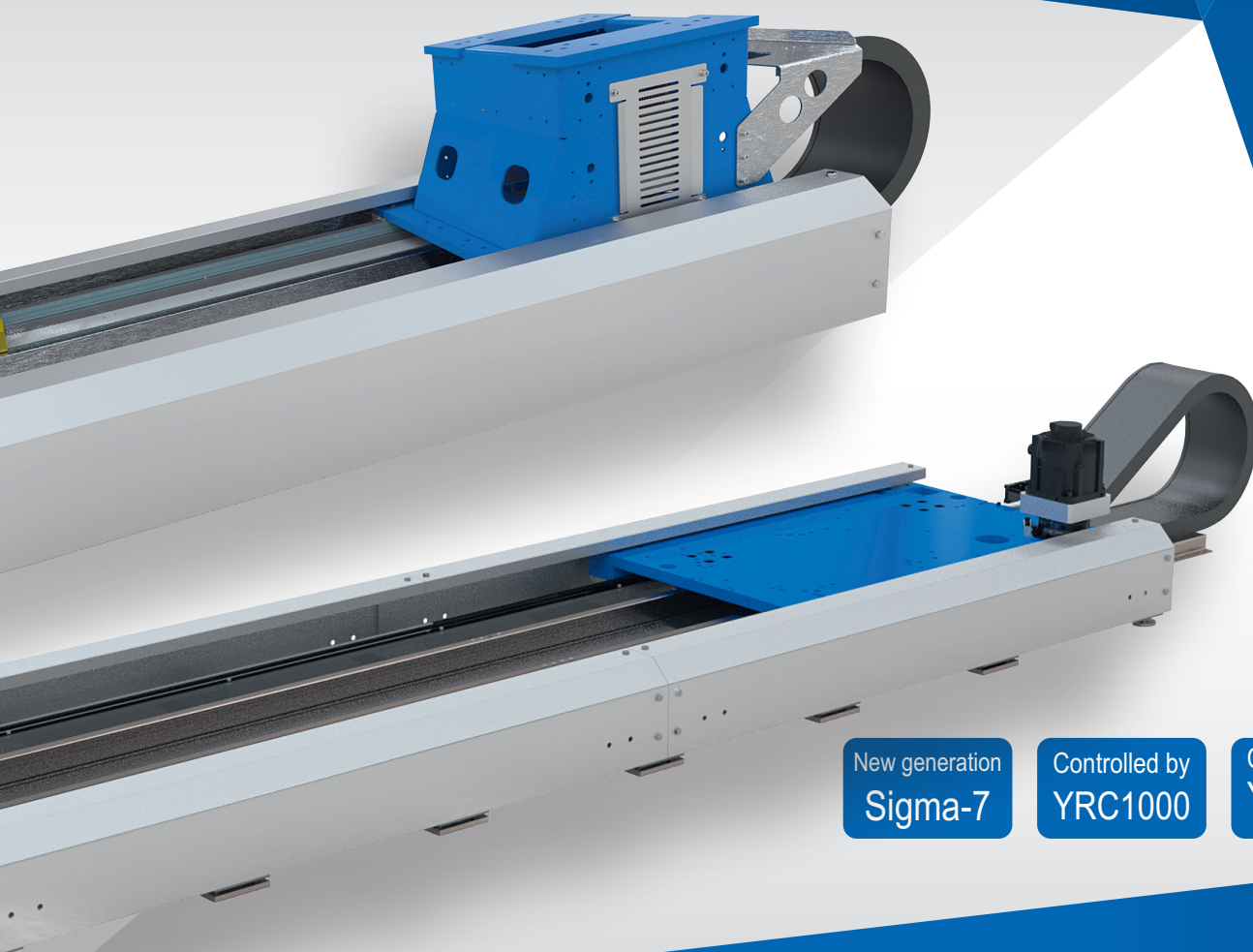


YASKAWA

Track series

Extending the working range of MOTOMAN robots in many applications such as welding, handling and machine tending.

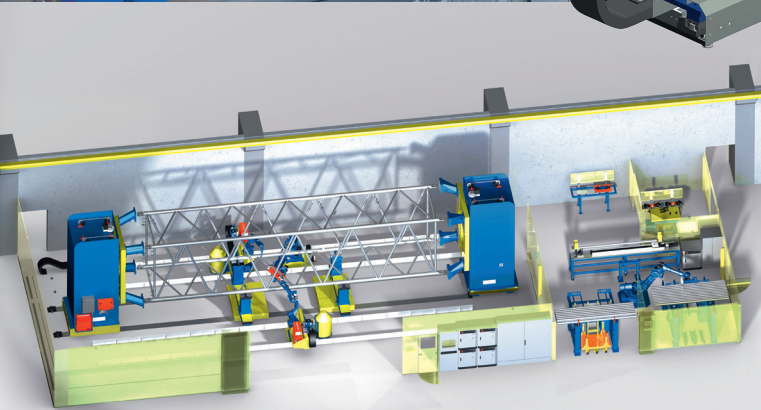
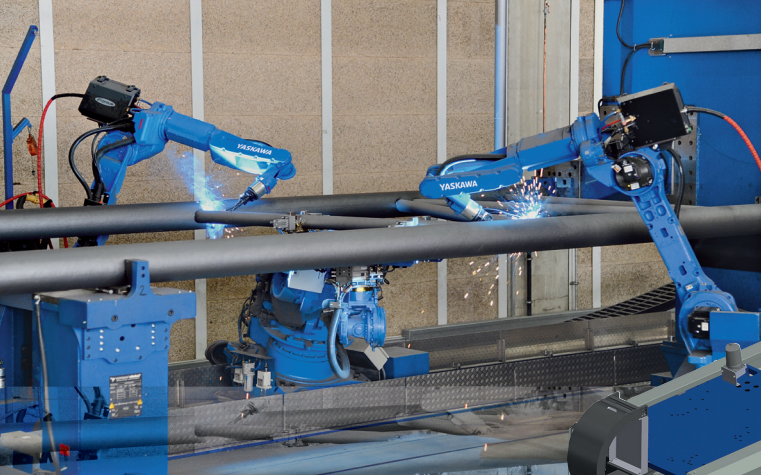


New generation
Sigma-7

Controlled by
YRC1000

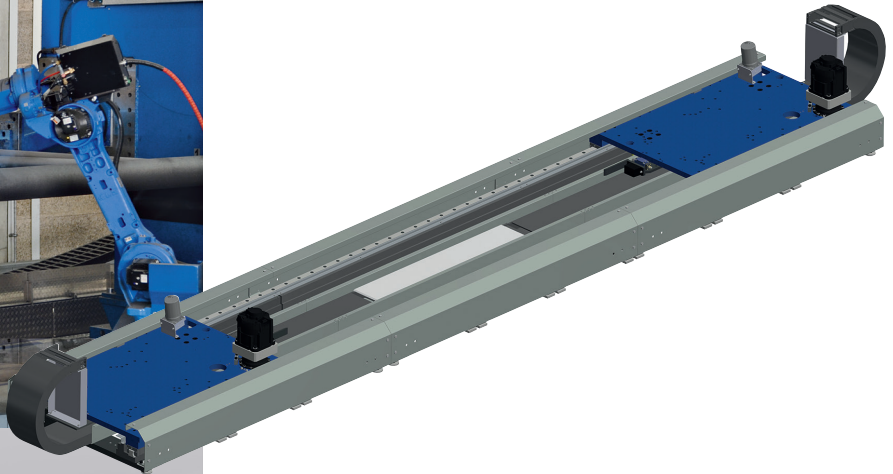
Controlled by
YRC1000
micro

High performance tracks



Key benefits

- **Extending the working range** for MOTOMAN robots in all joining processes, as well as in applications for handling and machine tending.
- **TSL tracks are fully synchronized** with the robot control system. Operation and programming are carried out using the teach pendant of the robot.
- **Featuring outstanding** YASKAWA product quality and distinguished by flexibility, precision and performance.
- **The carrier, guide blocks and rack drive** are coordinated with the robot and its application.



Optional equipment

- **Additional carriage** in order to mount a second robot, thereby increasing flexibility and performance, an additional carriage can be integrated on the larger track.
- **Automatic lubricating unit** to minimize maintenance work and increase availability, optionally available for the linear guides and rack drive, either separately or in combination.
- **Range limitation** for precise definition of the effective working range of the robot. These range limitations can be defined for two to four zones depending on the track.
- **Holders for supply components** in order to install additional components, such as weld current controllers, wire drums or other application specific equipment directly in the application system.
- **Integrated cable carrier** mounted on the left or right.
- **Customised variants** for special applications (painting, coating) or special dimensions are available on request.

TS-100D

Controlled by
YRC1000
micro

Controlled by
YRC1000

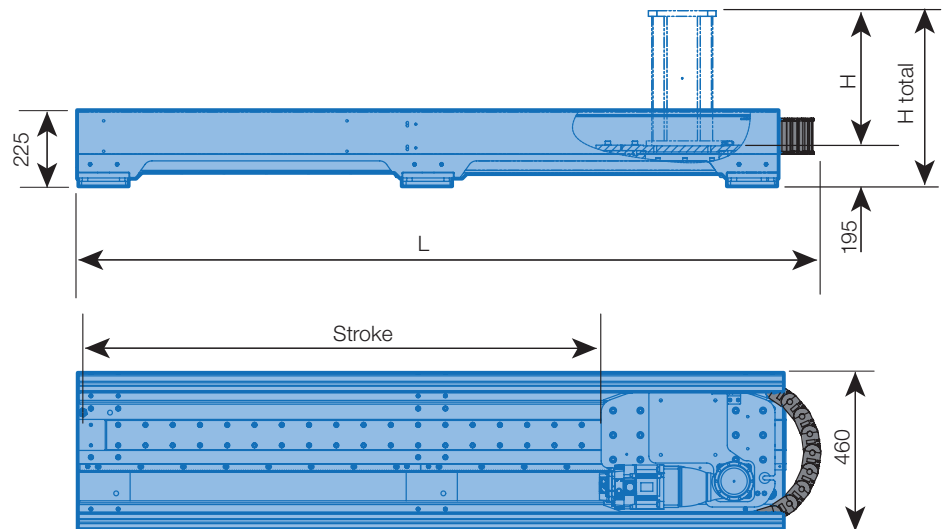
- Easy to install and operate.
- High speed.
- Short delivery times.

With its narrow design, the TS-100D can place the robot very close to an object, and thus make the most of the robot's working range. Available as a two, three- or four-meters long floor mounted track with a ceiling mount on a gantry as an option.



Options

- Automatic lubrication of rack and guide blocks.
- Robot stands 200, 300 and 400 mm.
- Mounted on a gantry (pillars from 1600 to 2400 mm.)

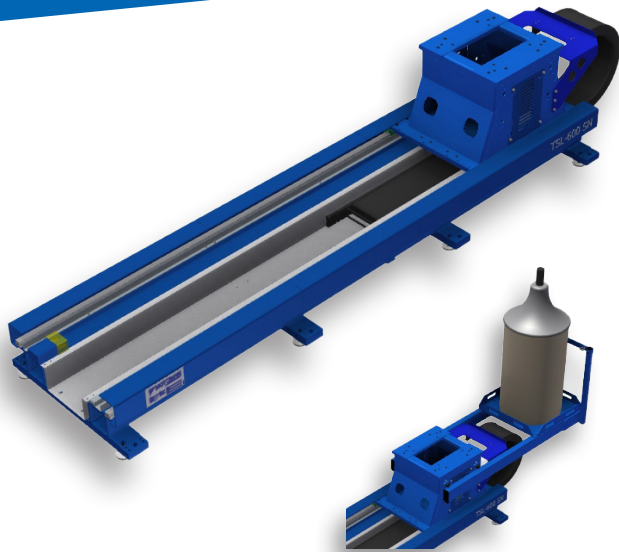


TS-100D	L	Stroke
2000 mm	2180	1513
3000 mm	3146	2473
4000 mm	4110	3433

Technical data		TS-100D YRC1000micro	TS-100D YRC1000
Maximum payload		100 kg	100 kg
Motor size		0.9 kW	1.3 kW
Maximum velocity		2.25 m/sec	3.0 m/sec
Acceleration velocity		3.2 m/sec ²	4.5 m/sec ²
Duty cycle		100%	100%
Suitable for industrial robots		MOTOMAN-GP7/GP8	MOTOMAN-GP7/GP8
Mounting options		Floor	Floor
Weight	2 meter	170 kg	170 kg
	3 meter	220 kg	220 kg
	4 meter	290 kg	290 kg

TSL-600SY

Controlled by
YRC1000

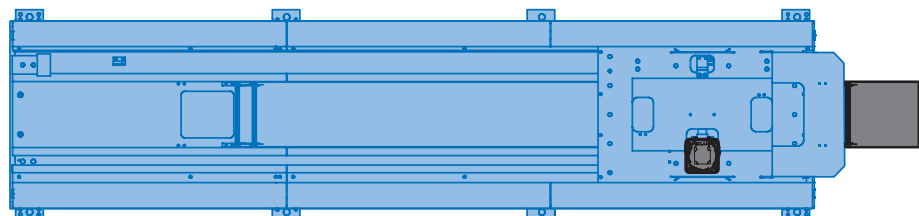
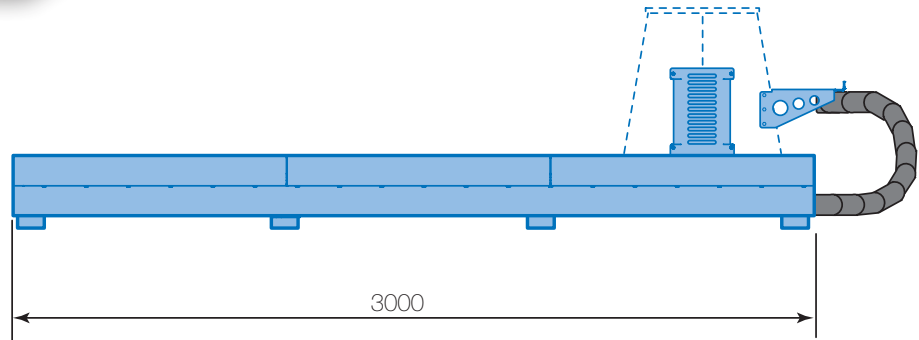
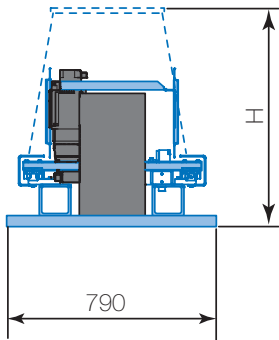


- Outstanding speed.
- Quiet operation.
- Dedicated arc welding track.

The TSL-600 is a floor mounted track with one robot carrier. Available in two, three or four meter total length.

Options

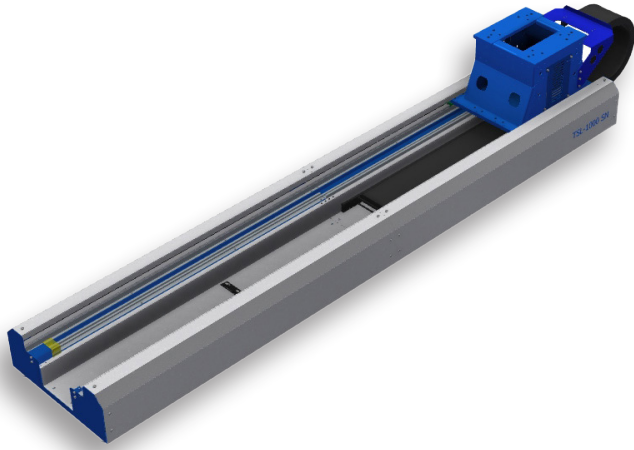
- Automatic lubrication (rack and guide blocks).
- Robot stands in different heights.
- Bracket for wire barrel.



Technical data		TSL-600 SY
Maximum payload		600 kg
Maximum speed		2.14 m/s
ED		50%
Acceleration velocity		2.38 m/s ²
Travel	500 mm 1000 mm	0.85 sec 1.16 sec
Repetitive position accuracy		±0.05 mm
Height (H) including robot stand		687, 887, 1087, 1287 or 1487 mm
Standard length (L)		2,3 or 4 meter
Travel length (stroke)		L-850 mm

TSL-1000SY

Controlled by
YRC1000

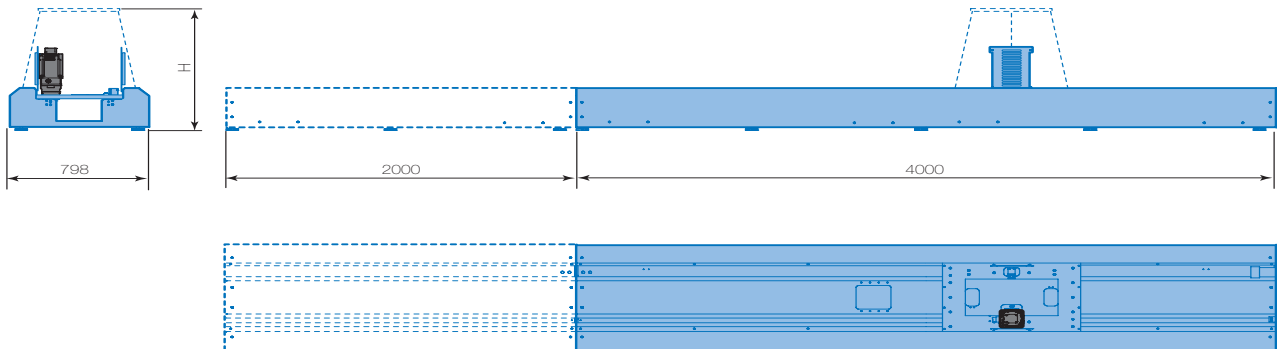


- Outstanding speed.
- Quiet operation.
- For high payload robots.

The TSL-1000 is a floor mounted track for one robot carrier, with a second carrier as an option. Built in two- or four meter modules, it is easy to extend to a suitable length up to 24 meters. Longer tracks may be available on request.

Options

- Automatic lubrication (rack and guide blocks).
- Second carrier.
- Brackets for wire barrel.
- Left mounted cable chain.



Technical data		TSL-1000 SY
Maximum payload		1000 kg
Maximum speed		1.8 m/s
ED		50%
Acceleration velocity		1.6 m/s ²
Travel	500 mm 1000 mm	1.0 sec 1.38 sec
Repetitive position accuracy		±0.06 mm
Height (H) including robot stand		467*, 687, 887, 1087, 1287, 1487 mm
Standard length (L)		2, 4, 6 and up to 24 meter (in 2 meter steps)
Travel length, stroke (TL)		L -850 mm (L -1065 mm)*

*) Low carriage

TSL-2000SY

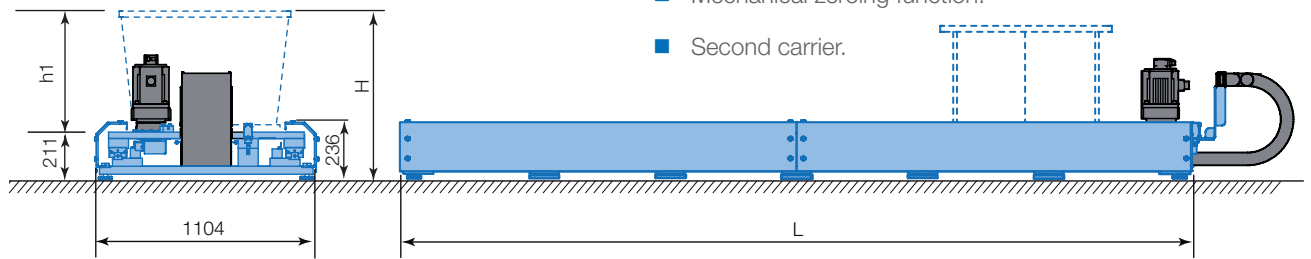
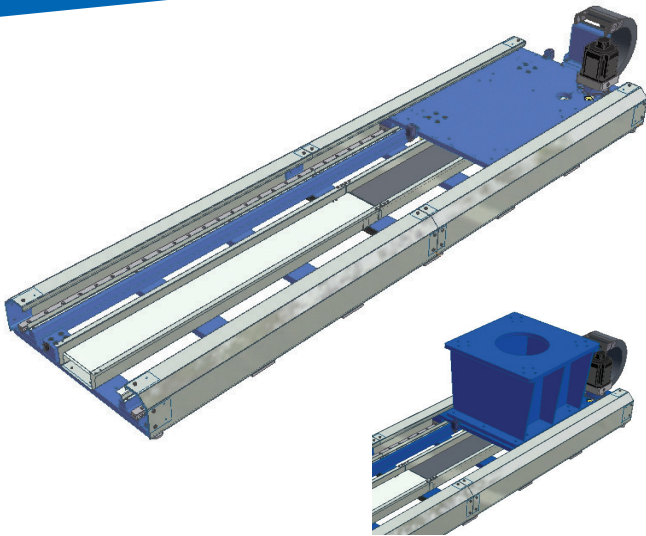
Controlled by
YRC1000

- Outstanding speed.
- Quiet operation.
- For high payload robots.

Floor mounted track for one robot carrier, and an optional second carrier. The initial four-meter module can be extended by two meters up to 24 meters in total. For shelf robots we recommend a robot stand in order to utilise the robot's full working range.

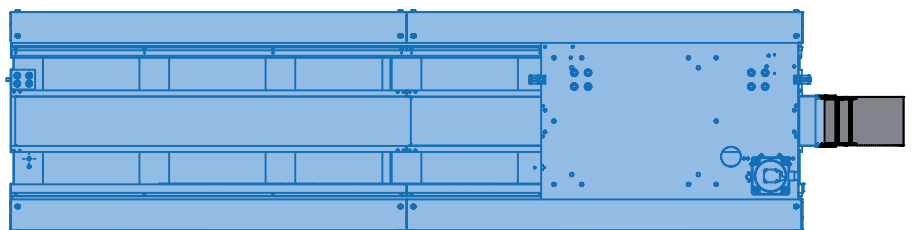
Options

- Automatic lubrication of rack and guide blocks.
- Robot stands 250, 400 and 600 mm.
- Mechanical zeroing function.
- Second carrier.



Robot stand (option)

h1	H
250 mm	461 mm
400 mm	611 mm
600 mm	811 mm



Technical data

TSL-2000 SY

Maximum payload	2000 kg
Maximum speed	1.8 m/s
ED	50%
Acceleration velocity	2.25 m/s ²
Travel 1200 mm	1.45 sec
Repetitive position accuracy	±0.08 mm
Height	236 mm
Height (H) including robot stand	461, 611, 811, 1334 mm
Standard length (L)	4, 6, 8 etc. up to 24 m (in 2m/steps *)
Travel length, stroke (TL)	L -1340 mm

*) Other lengths can be quoted upon request.

TSL-4000SY

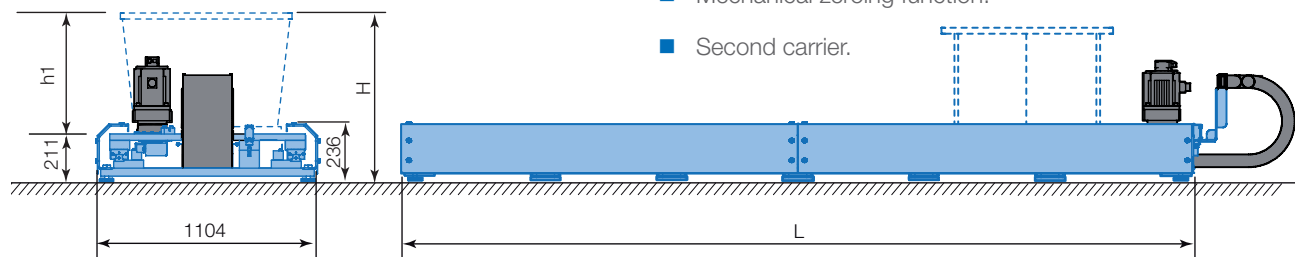
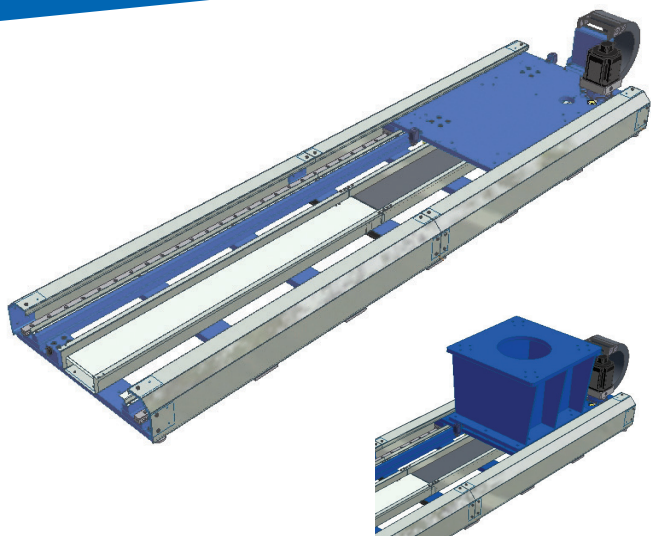
Controlled by
YRC1000

- Outstanding speed.
- Quiet operation.
- For high payload robots.

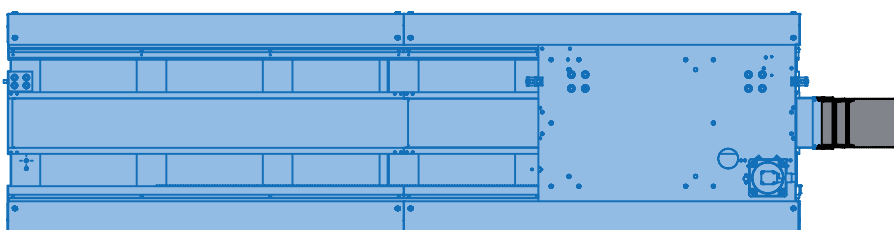
Floor mounted track for one robot carrier, and an optional second carrier. The initial four-meter module can be extended by two meters up to 24 meters in total. For shelf robots we recommend a robot stand in order to utilise the robot's full working range.

Options

- Automatic lubrication of rack and guide blocks.
- Robot stands 250, 400 and 600 mm.
- Mechanical zeroing function.
- Second carrier.



Robot stand (option)	
h1	H
250 mm	461 mm
400 mm	611 mm
600 mm	811 mm



Technical data	TSL-4000 SY
Maximum payload	4000 kg
Maximum speed	1.6 m/s
ED	50%
Acceleration velocity	2.0 m/s ²
Travel 1200 mm	1.55 sec
Repetitive position accuracy	±0.08 mm
Height	236 mm
Height (H) including robot stand	461, 611, 811, 1334 mm
Standard length (L)	4, 6, 8 etc. up to 24 m (in 2m/steps *)
Travel length, stroke (TL)	L -1340 mm

*) Other lengths can be quoted upon request.

YASKAWA GROUP

- AT YASKAWA Europe GmbH
Vienna +43-1-707 9324 15
- CZ YASKAWA Czech s.r.o.
Rudná u Prahy +420-257 941 718
- DE YASKAWA Europe GmbH
Allershausen +49-8166-90-0
- DK YASKAWA Nordic AB
Losning +45 7022 2477
- ES YASKAWA Iberica S.L.
Gavà +34-93-6303478
- FI YASKAWA Finland Oy
Turku +358-403000600
- FR YASKAWA France S.A.
Le Bignon +33-2-40131919
- IL YASKAWA Europe Technology Ltd
Rosh Ha'ayin +972-3-9030412
- IT YASKAWA Italia SRL
Torino +39-011-9005833
- NL YASKAWA Benelux B.V.
Son +31 40-2895500
- PL YASKAWA Polska Sp. z o.o.
Wrocław +48 71 792 86 70
- RU YASKAWA Europe Holding AB
Moscow +7 495 6442409
- SE YASKAWA Nordic AB
Torsås +46-480-417800
- SI YASKAWA Slovenia d.o.o.
Ribnica +386-1-8372-410
- TR YASKAWA Turkey Elektrik Ticaret Limited
Sirketi
Ümraniye-Istanbul +90 216 5273450
- UK YASKAWA UK Ltd
Banbury +44-1295-272755
- ZA YASKAWA Southern Africa PTY Ltd
Johannesburg +27-11-6083182

DISTRIBUTORS

- AU Robotic Automation PL
Melbourne +61 2 8748 6500
- BG ATRI Robotics Ltd.
Stara Zagora +359 899 625 160
- Kammarton Bulgaria Ltd
Sofia +359 (02) 926 6060
- EE RKR Seadmed OÜ
Tallin +372 68 35 235
- GR Gizelis Robotics
Schimatari +30 2262057199
- HU Flexman Robotics Kft
Budapest +36 30 951 0065
- LT Profibus UAB
Panevezys +370-45-518575
- NO Skala Robotech as
Lierstranda +47-32240600
- PT Roboplan Lda
Aveiro +351 234 943 900
- RO Sam Robotics srl
Timisoara +40 720 279 866
- NORMANDIA S.R.L.
Braşov +40 268 549 236



Yaskawa Europe GmbH
Robotics Division
Yaskawastraße 1
85391 Allershausen, Germany
Phone +49 (0) 8166/90-0
Fax +49 (0) 8166/90-103

robotics@yaskawa.eu
www.yaskawa.eu

Yaskawa Nordic AB
PO Box 504
Visiting address: Spångatan 4
SE-385 25 Torsås, Sweden
Phone +46 (0) 480-41 78 00



Technical data may be subject to change without previous notice.
© YASKAWA Nordic AB · RegNo. 1089EN-00 April 2022

YASKAWA