

TSL-2000, TSL-4000

Floor mounted track.

Key benefits

- Outstanding speed.
- Quiet operation.
- For high payload robots.

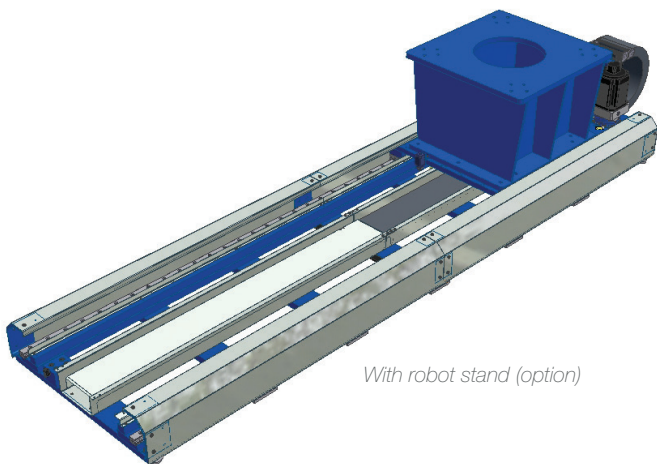
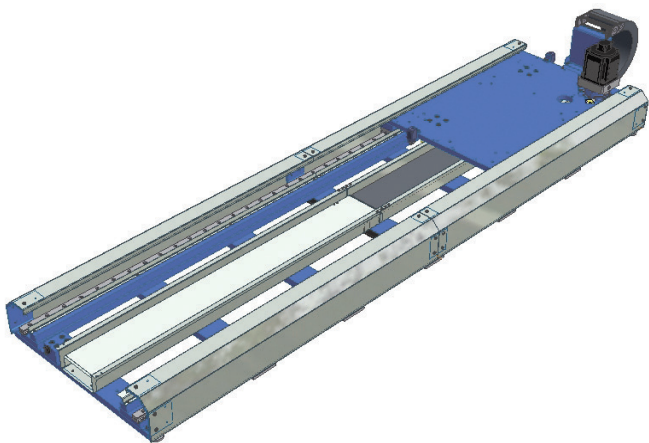
This is a servo powered floor mounted track with one or two robot carriages. It can be used to transport a robot from one station to another, or to increase the robot's working range. The TSL track is prepared for zeroing function.

The TSL track is built with a starting module of four meter which can be extended in two-meter intervals up to 24 meters in total.

For shelf robots we always recommend using a robot stand in order to utilise the robot's full working range.

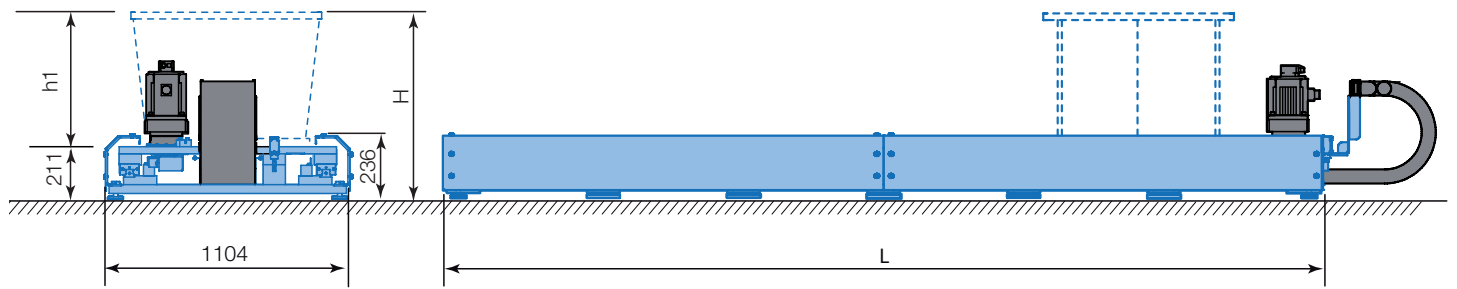
Options

- Automatic lubrication of rack and guide blocks.
- Integrated robot stand, total height (H) 1334 mm.
- Robot stands 250, 400 and 600 mm.
- Mechanical zeroing function.

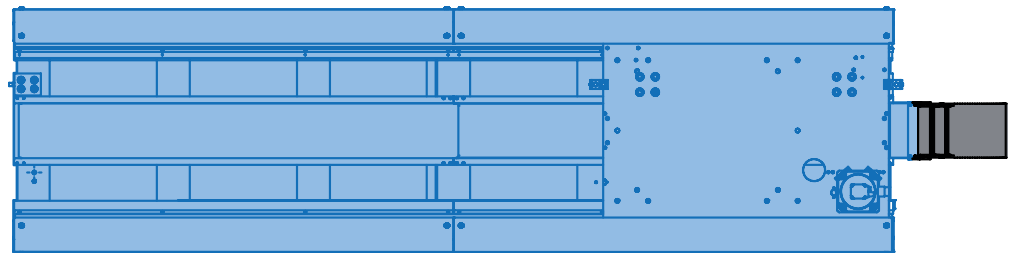


With robot stand (option)

TSL-2000S, TSL-4000



| Optional robot stand | |
|----------------------|--------|
| h1 (mm) | H (mm) |
| 250 | 461 |
| 400 | 611 |
| 600 | 811 |

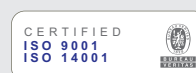


All dimensions are for reference only.
Request detailed drawings for design/engineering requirements!

| Technical data | TSL-2000 SY | TSL-4000 SY |
|---|--|--|
| Maximum payload | 2000 kg | 4000 kg |
| Maximum speed | 1.7 m/s | 1.3 m/s |
| ED | 50% | 50% |
| Acceleration velocity | 2.14 m/s ² | 1.5 m/s ² |
| Travel 1000 mm | 1.45 sec | 1.93 sec |
| Repetitive position accuracy | ±0.08 mm | ±0.08 mm |
| Height | 236 mm | 236 mm |
| Height (H) including robot stand | 461, 611, 811, 1334 mm | 461, 611, 811, 1334 mm |
| Standard length (L) | 4, 6, 8 etc. up to 24 m (in 2m/steps *) | 4, 6, 8 etc. up to 24 m (in 2m/steps *) |
| Travel length, stroke (TL) | L -1340 mm | L -1340 mm |

*) Other lengths can be quoted upon request.

YASKAWA



YASKAWA Nordic AB
PO Box 504
SE-385 25 Torsås, SWEDEN

Phone +46 480 41 78 00
info.se@yaskawa.eu.com
www.yaskawa.eu.com